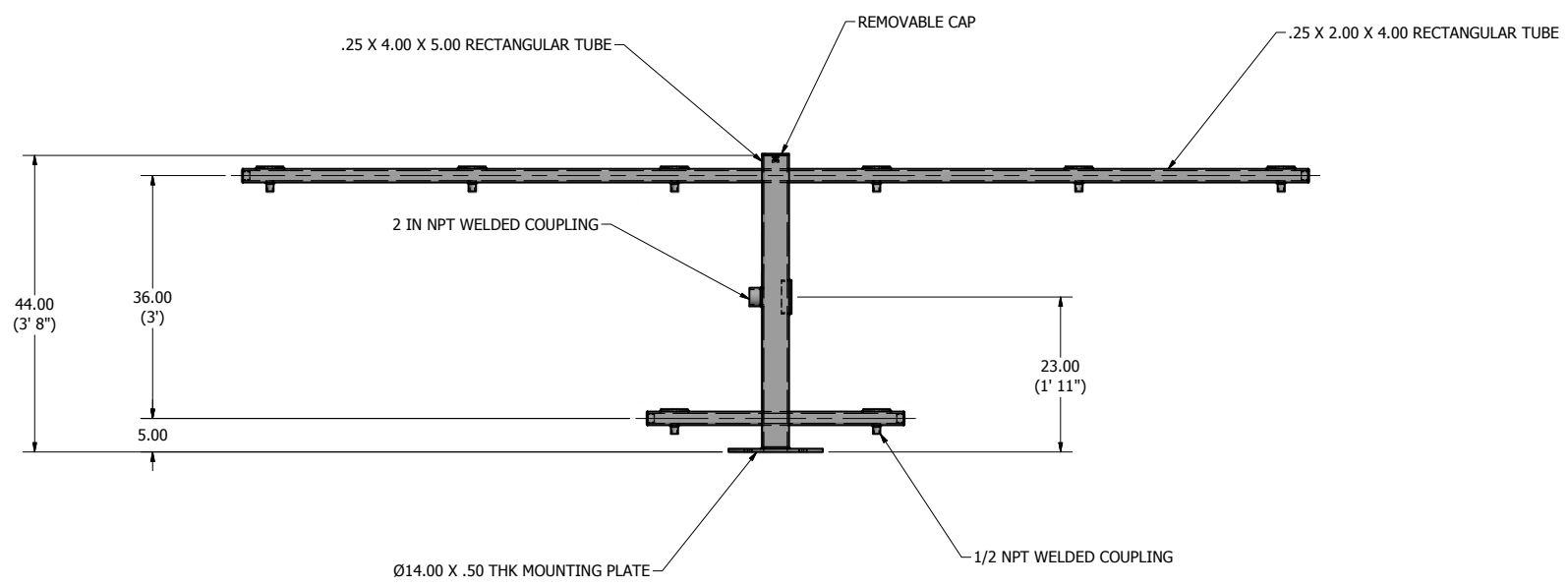
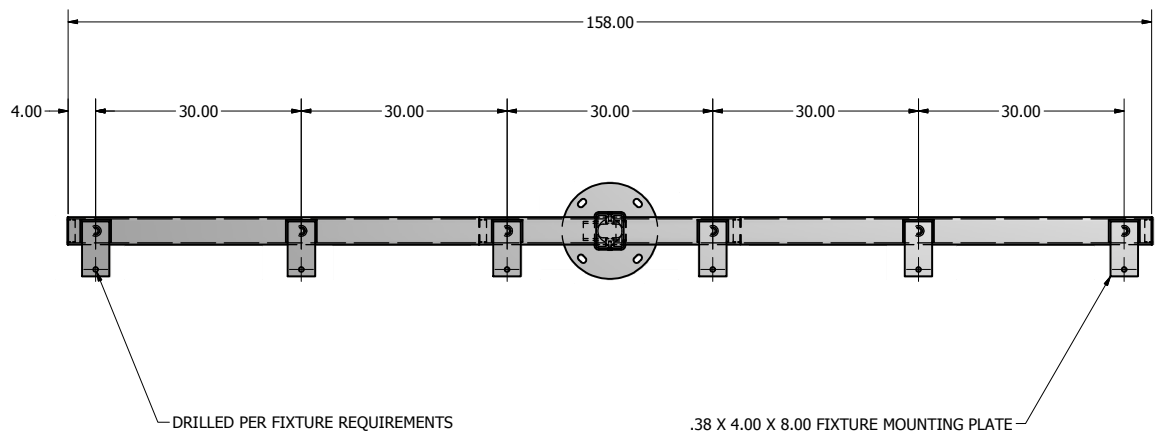


TOP MOUNTED CROSS ARM			
CATALOG #	FIXTURE QTY.	EPA (SQ. FT.)	WEIGHT (LBS.)
CRT-8	8	6.7	290



FINISH: TOP MOUNTED CROSS ARM BRACKET TO BE FINISHED TO MATCH POLE.

SOME GEOGRAPHICAL AREAS HAVE SPECIAL WIND CONDITIONS THAT CAN CREATE WIND INDUCED VIBRATIONS CAUSING A FATIGUE PROBLEM. NO METHOD HAS YET BEEN FOUND FOR PREVENTING OR REDUCING THESE VIBRATIONS. THE USER OF THIS PRODUCT IS ADVISED THAT THE PRODUCT IS NOT BEING GUARANTEED AGAINST, AND ARE THE RESPONSIBILITY OF A LOCAL SITE ENGINEER.

TITLE:

CATALOG:

DWG NO: CRT-08

SIZE: C

SHEET 1 OF 1

23171 Groesbeck Hwy.  
Warren, MI 48089  
P: (586) 774-6105 | F: (586) 774-5706  
www.generalstructuresinc.com

**GENERAL STRUCTURES INC.**  
A DDM COMPANY

DRAWN: M. HARVALA	2/19/2015
CHECKED:	DATE:
REVISION:	APPROVED:
APPROVED:	QUOTE:
S.O.#	SCALE: NONE
REF:	

